



## Duse - Suspension

### Duse Suspension - White - 300

Series of pendants, pendants with counterweight and sconces made of white ceramic or “cotto” ceramic with white glazed inside. These solutions, perfect hung above a table or in a hall, grace the room with warm, enveloping light.



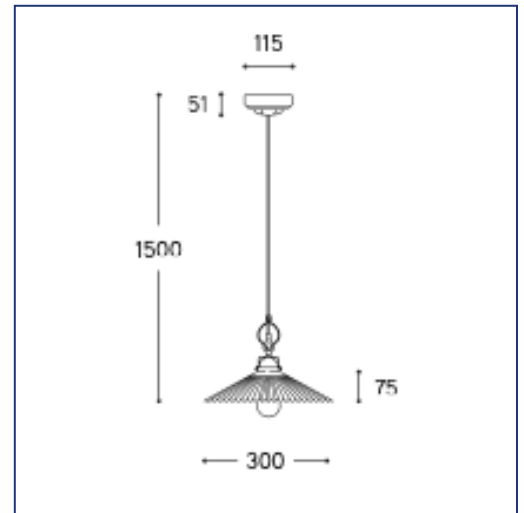
**Brand** Aldo Bernardi  
**Designer** Aldo Bernardi  
**Series** Duse

[Inform me about bespoke options | ↗](#)

## Product specifications

<b>Fitting finish</b>	White
<b>Type</b>	Suspension
<b>Use</b>	Decorative
<b>Place</b>	Indoor
<b>Material</b>	Ceramic
<b>Overall Weight (kg)</b>	2.9

Additional finish/colour options available.  
See website or contact our team for more info.



## Technical specifications

<b>Light Dimensions - Diameter (cm)</b>	30
<b>Light Dimensions - Height (cm)</b>	150
<b>Canopy Dimensions - Diameter (cm)</b>	11.5
<b>Canopy Dimensions - Height (cm)</b>	5.1
<b>Lightsource</b>	E27 15W LED
<b>Lightsource included or not (y/n)</b>	N